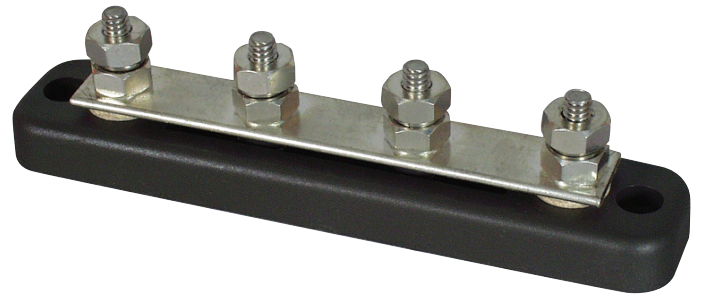


auto electrical parts

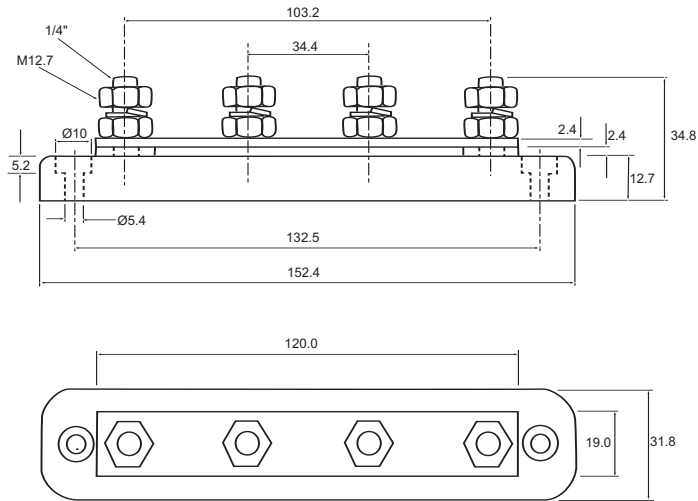
Technical Information Sheet

Part No.0-005-56

Bus bar, 150 amp, tin plated copper bar with 4 stainless steel 1/4" UNF studs. ABS insulating base with recessed 5mm mounting holes. Rated at 150 amp at 48 volt dc.



Technical Drawing (not to scale)



Specification

Type	Bus Bar
DC rating @ 48vdc	Continuous 150 amps
Bolts	4 x 1/4" UNF stainless steel studs with 1/2" nuts and spring washer
Bar Material	Tin-plated copper
Base	ABS
Fixing	2 x recessed 5.4mm fixing holes, centres 132.5mm
Weight	155.0g
Dimensions	l 152.4 x w 31.8 x h 34.8mm

The information contained in this document is correct to the best of our knowledge at the time of printing. However, specifications may change at any time without notice.